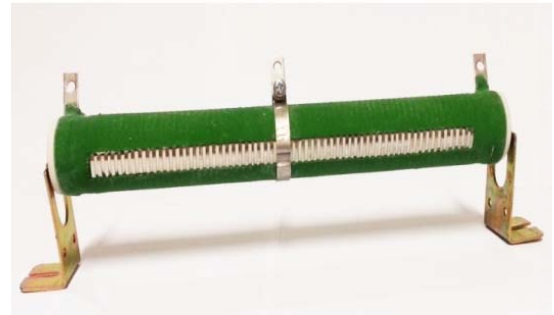


Cemented WireWound Resistors

Industrial resistors high overloading performing, strong and non-flammable; high insulation power and dissipation capacity. External protection of ceramic cemented lining, resistive component wire in Ni-Cr league or twisted constantan on a cylindrical ceramic support. According to the model and Ohm value, resistors can be produced with different terminations.

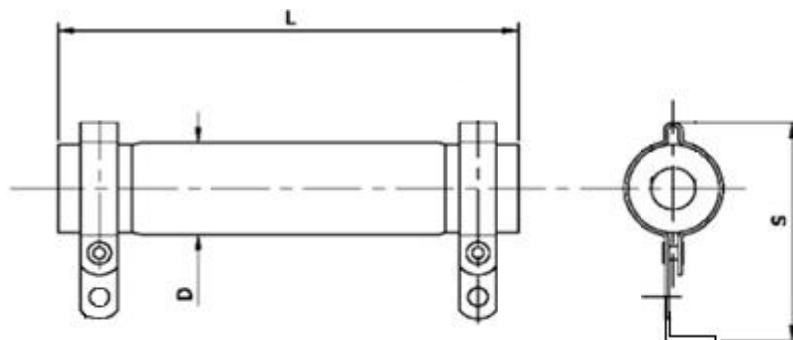


Adjustable model BMR-A allows to adjust values through a sliding collar.

Electrical features:

Standard tolerance	±10 %
Temperature	≤ 100 ppm / °C
Insulation resistance	> 100 Mohm (500 Vdc)
Max operating temperature	350 °C

Model	Resistance value (Ω)	Dimensions*mm			Adjustable	Supports
		D	L	S		
BMR-3	3.3	30	225	70	-	YES
BMR-5	5	30	265	70	A	YES
BMR-10	10	30	265	70	A	YES
BMR-650	650	30	225	70	-	YES
BMR-1200	1200	30	225	70	-	YES
BMR-1550	1550	30	225	70	-	YES
BMR-2000	2000	30	225	70	-	YES
BMR-2500	2500	30	225	70	-	YES



Specifications subject to change without notice.

Warranty: faulty products must be returned to the supplier. Only after warranty recognition products will be replaced and all shipping costs will be on seller charge. Warranty does not cover any claim for damages, lost profits or loss of production.